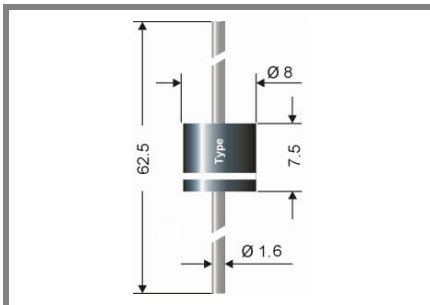


SB 3020TL ... SB 3040TL



Axial lead diode

Schottky barrier rectifiers diodes

SB 3020TL ... SB 3040TL

Forward Current: 30 A

Reverse Voltage: 20 to 40 V

Preliminary Data

Features

- Max. solder temperature: 260 °C
- Plastic material has UL classification 94V-0

Mechanical Data

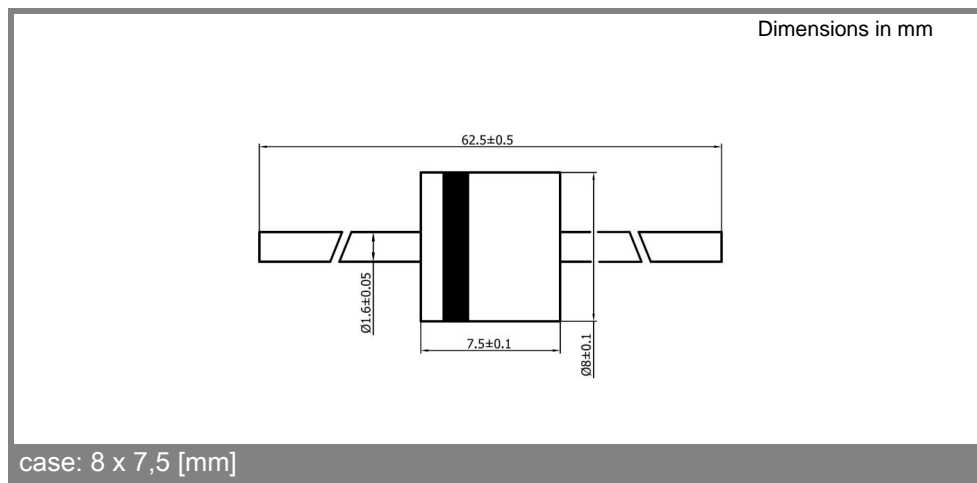
- Plastic case: D6A / 8 x 7,5 [mm]
- Weight approx.: 2,0 g
- Terminals: plated terminals solderable per MIL-STD-750
- Mounting position: any
- Standard packaging: 500 pieces per ammo or 1000 pieces per reel

- 1) Valid, if leads are kept at T_A at a distance of 10 mm from case
- 2) $I_F = 5 \text{ A}$, $V_F < 0,45 \text{ V}$ @ $I_F = 16 \text{ A}$, $T_j = 25 \text{ °C}$
- 3) $T_A = 25 \text{ °C}$
- 4) Thermal resistance from junction to lead/terminal at a distance 0 mm from case
- 5) Max. junction temperature $T_j \leq 200 \text{ °C}$ in bypass mode / DC forward mode

Type	Repetitive peak reverse voltage	Surge peak reverse voltage	Max. reverse recovery time	Max. forward voltage
	V_{RRM} V	V_{RSM} V	$I_F = - \text{A}$ $I_R = - \text{A}$ $I_{RR} = - \text{A}$ t_{rr} ns	$V_F^{(2)}$
SB 3020TL	20	20	-	0,37
SB 3030TL	30	30	-	0,37
SB 3040TL	40	40	-	0,37

Absolute Maximum Ratings		$T_A = 25 \text{ °C}$, unless otherwise specified	
Symbol	Conditions	Values	Units
I_{FAV}	Max. averaged fwd. current, R-load, $T_A = 50 \text{ °C}$ ¹⁾	30	A
I_{FRM}	Repetitive peak forward current $f > 15 \text{ Hz}$ ¹⁾	80	A
I_{FSM}	Peak forward surge current 50 Hz half sinus-wave ³⁾	700	A
i^2t	Rating for fusing, $t < 10 \text{ ms}$ ³⁾	2450	A ² s
R_{thA}	Max. thermal resistance junction to ambient ¹⁾		K/W
R_{thL}	Max. thermal resistance junction to terminals ⁴⁾	1,7	K/W
T_j	Operating junction temperature	- 50 ... + 150 ($T_j \leq 200 \text{ °C}$ in bypass mode ⁵⁾)	°C
T_s	Storage temperature	- 50 ... + 175	°C

Characteristics		$T_A = 25 \text{ °C}$, unless otherwise specified	
Symbol	Conditions	Values	Units
I_R	Maximum leakage current, $T_j = 25 \text{ °C}$; $V_R = V_{RRM}$	< 600	μA
	$T_j = 100 \text{ °C}$; $V_R = V_{RRM}$	35(typ.)	mA
C_j	Typical junction capacitance (at MHz and applied reverse voltage of V)	-	pF
Q_{rr}	Reverse recovery charge ($U_R = V$; $I_F = A$; $dI_F/dt = A/ms$)	-	μC
E_{RSM}	Non repetitive peak reverse avalanche energy ($I_R = \text{mA}$; $T_j = \text{°C}$; inductive load switched off)	-	mJ



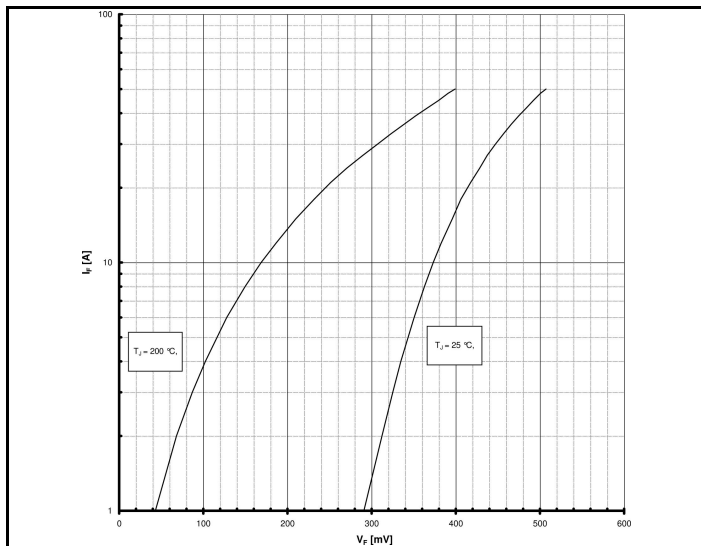


Fig. 1, Forward characteristics (typical values)

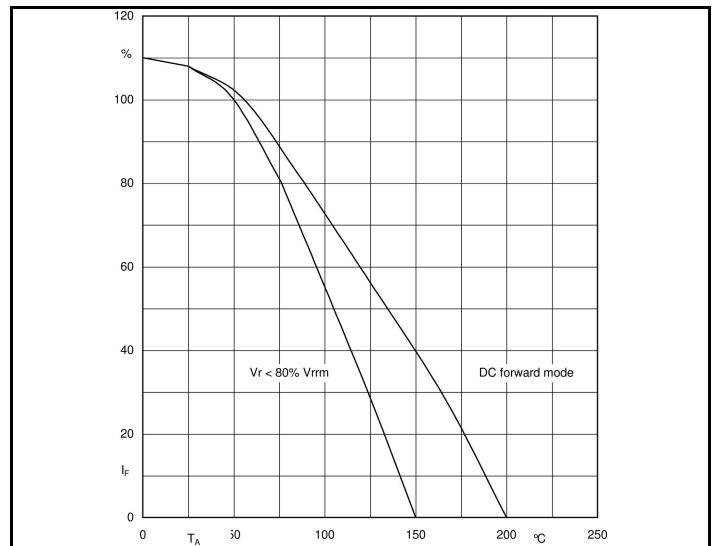


Fig. 2, Rated forward current vs. temp. of the terminals

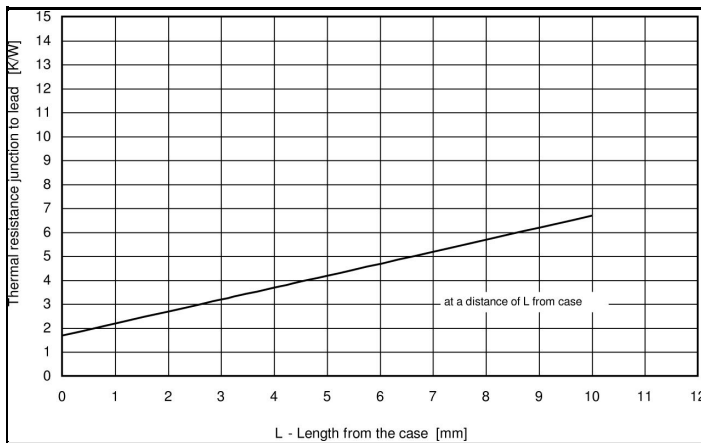


Fig. 3, Thermal resistance versus distance from case