

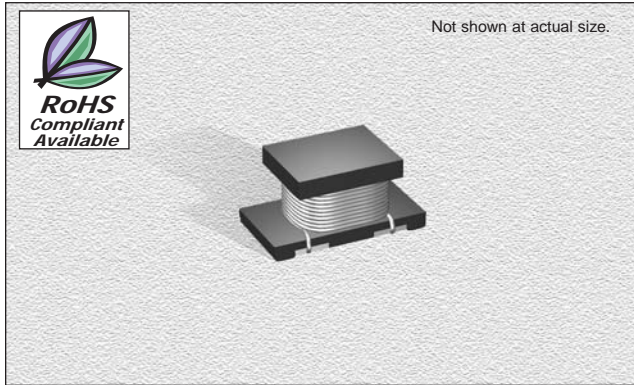
CTLQ1206C Series

From 0.12 μ H to 100 μ H

SPECIFICATIONS

Please specify tolerance code when ordering.
 CTLQ1206C-4R7_ ← J = \pm 5%, K = \pm 10%, M = \pm 20%
 * K or M only

CTLQ1206CE Please specify "F" for RoHS compliant



Part Number	Inductance (μ H)	L Test Freq. (MHz)	SRF Min. (MHz)	DCR Max. (Ω)	Allowable Current (mA)
CTLQ1206C_-R12M	0.12	1.0	250	0.112	970
CTLQ1206C_-R22M	0.22	1.0	250	0.140	850
CTLQ1206C_-R47M	0.47	1.0	180	0.210	700
CTLQ1206C_-1R0M	1.0	1.0	100	0.364	510
CTLQ1206C_-2R2M	2.2	1.0	50	0.533	430
CTLQ1206C_-4R7_*	4.7	1.0	31	0.845	340
CTLQ1206C_-100_	10	1.0	20	1.69	230
CTLQ1206C_-220_	22	1.0	14	3.90	160
CTLQ1206C_-470_	47	1.0	10	10.4	100
CTLQ1206C_-101_	100	1.0	7	15.6	80

PHYSICAL DIMENSIONS

Size	A	B	C	D Min.
mm	3.20 \pm 0.30	1.80 \pm 0.30	1.60 \pm 0.30	0.7
inches	0.126 \pm 0.012	0.071 \pm 0.012	0.063 \pm 0.012	0.028

CHARACTERISTICS

Description: SMD power inductor

Applications: Power supplies for VTR, OA equipment, LCD televisions, PC notebooks, portable communication equipment, DC/DC converters, etc.

Operating Temperature: -25°C to +85°C

Inductance Tolerance: J = \pm 5%, K = \pm 10% & M = \pm 20%

Packaging: Tape & Reel

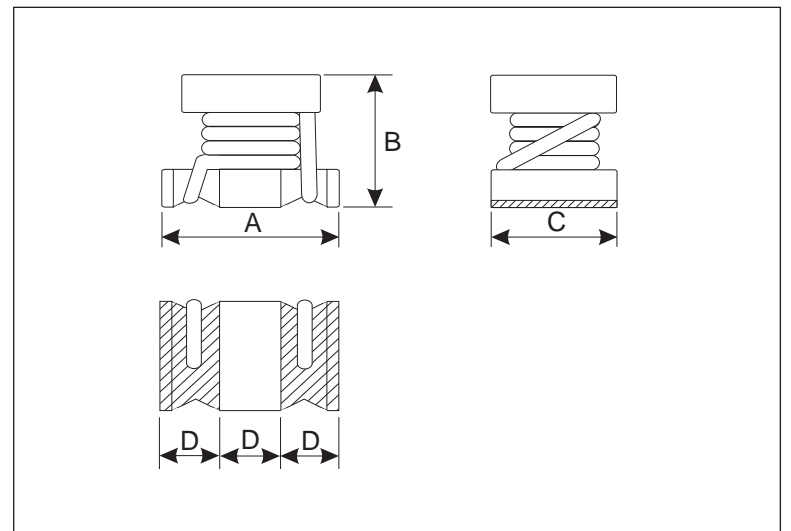
Testing: Tested on a HP4285A @ specified frequency

Allowable Current: Self temperature rise shall be limited to 35°C max. Inductance drop 10% typ. at this rated current.

Miscellaneous: RoHS Compliant available.

Additional Information: Additional electrical & physical information available upon request

Samples available. See website for ordering information.



10.11.05