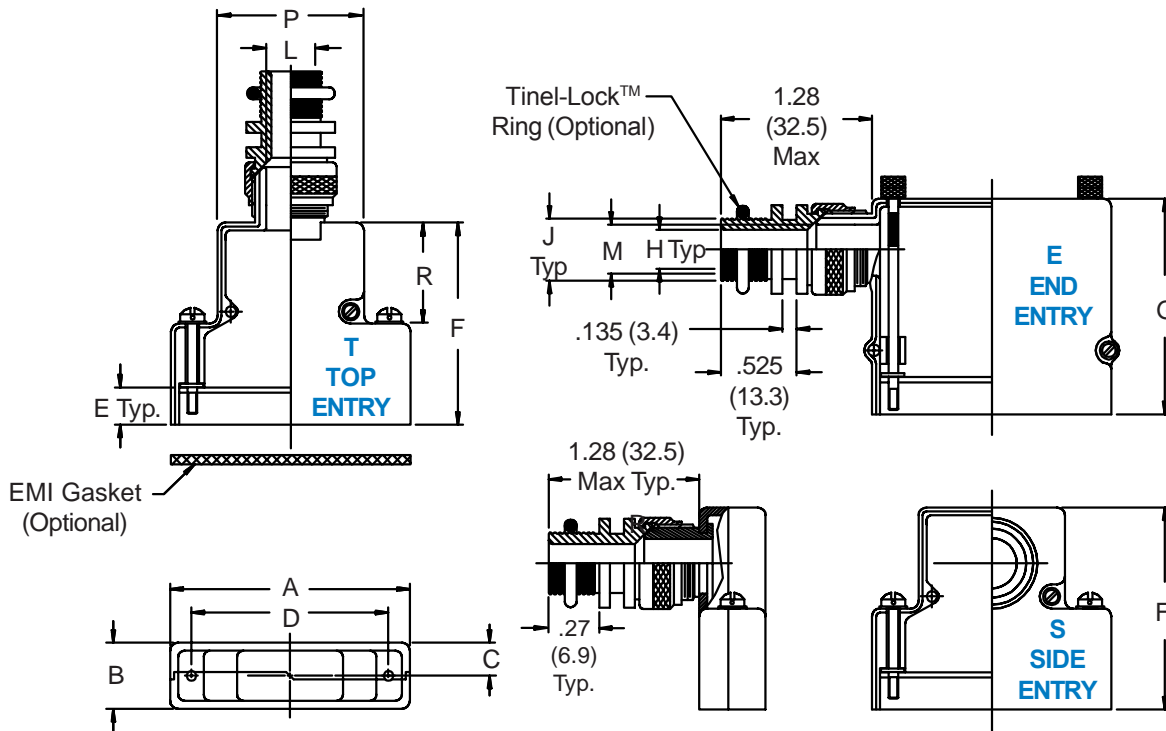
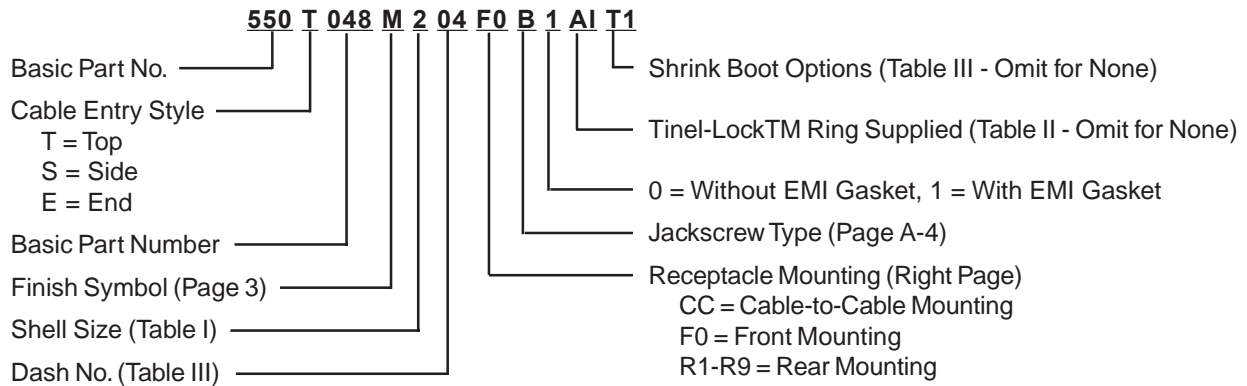
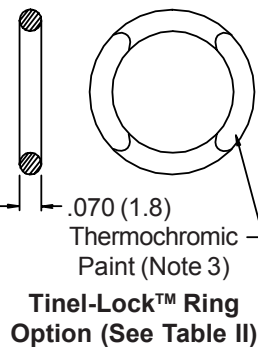




550-048 D-Subminiature Split Tinel-Lock™ Banding Backshell



Shell Size	Com'l Shell Size Ref	L Dia Style T Shell I.D.	M Dia Style E Shell I.D.	Max Entry Dash No. (Table III)
1	E/09	.250 (6.4)	.375 (9.5)	01
2	A/15	.375 (9.5)	.375 (9.5)	03
3	B/25	.475 (12.1)	.475 (12.1)	04
4	C/37	.475 (12.1)	.475 (12.1)	04
5	D/50	.575 (14.6)	.575 (14.6)	05
6	F/104	1.000 (25.4)	1.000 (25.4)	09



Braid Type	Ring Desig.
Single Layer 36 AWG	A1
Single Layer 34 AWG	A1
Single Layer 32 AWG	B1
Single Layer 30 AWG	B1
Double Layer 36 AWG	B1
Double Layer 34 AWG	B1
Double Layer 32 AWG	C1

550-048
D-Subminiature Split
Tinel-Lock™ Banding Backshell



MIL-C-24308
D-Subminiature

TABLE III: SHRINK BOOT

Dash No.	H Dia	J Dia Max	Shrink Boot Option T1*	Shrink Boot Option T2*	Tinel-Lock™ Ring Entry Size
01	.250 (6.4)	.375 (9.5)	202K121-25-0	202K121-100-0	04
02	.312 (7.9)	.437 (11.1)	202K132-25-0	202K132-100-0	05
03	.375 (9.5)	.500 (12.7)	202K132-25-0	202K132-100-0	06
04	.438 (11.1)	.562 (14.3)	202K142-25-0	202K142-100-0	07
05	.500 (12.7)	.625 (15.9)	202K142-25-0	202K142-100-0	08
06	.625 (15.9)	.750 (19.1)	202K153-25-0	202K153-100-0	10
07	.750 (19.1)	.875 (22.2)	202K153-25-0	202K153-100-0	12
08	.875 (22.2)	1.000 (25.4)	202K163-25-0	202K163-100-0	14
09	1.000 (25.4)	1.125 (28.6)	202K163-25-0	202K163-100-0	16

* Raychem Shrink Boot and Epoxy/Polyamide Two Part Adhesive Paste (S1125) Supplied with "T1" Option (See Part Number Development)

** Raychem Shrink Boot and Hot-Melt/Polyolyfin Adhesive Supplied with "T2" Option (See Part Number Development) - This is a Halogen Free System

1. Metric dimensions (mm) are indicated in parentheses.
2. **DO NOT USE CONNECTORS WITH FLOAT MOUNTINGS.**
3. The Tinel-Lock™ Ring designator must be specified according to the type of cable braid used. Tinel-Lock™ Rings are marked with thermochromic paint which changes color when the correct installation temperature is reached. BI rings are identified with a red spot. CI rings are identified with a blue spot.

COMMON BACKSHELL DIMENSIONS

Shell Size	Com'l Shell Size Ref	A Max	B Max	C Ref.	D ±.005 (.1)	P	R Ref
1	E/09	1.393 (35.4)	.624 (15.8)	.312 (7.9)	.984 (25.0)	.730 (18.5)	.719 (18.3)
2	A/15	1.706 (43.3)	.624 (15.8)	.312 (7.9)	1.312 (33.3)	1.050 (26.7)	.719 (18.3)
3	B/25	2.265 (57.5)	.624 (15.8)	.312 (7.9)	1.852 (47.0)	1.594 (40.5)	.938 (23.8)
4	C/37	2.900 (73.7)	.624 (15.8)	.312 (7.9)	2.500 (63.5)	2.240 (56.9)	.938 (23.8)
5	D/50	2.800 (71.1)	.750 (19.1)	.375 (9.5)	2.406 (61.1)	2.140 (54.4)	.938 (23.8)
6	F/104	2.900 (73.7)	.844 (21.4)	.422 (10.7)	2.500 (63.5)	2.240 (56.9)	1.094 (27.8)

CABLE MOUNTING DIMENSIONS

Dash No.	Panel Thickness	E	F ±.031 (0.79)			G ±.031 (0.79)	
			Sizes 1 & 2	Sizes 3 - 5	Size 6	Sizes 1 & 2	Sizes 3 - 5
CC	n/a	.174 (4.4)	1.451 (36.9)	1.671 (42.4)	1.820 (50.8)	1.583 (40.2)	1.831 (46.5)
F0	n/a	.343 (8.7)	1.625 (41.3)	1.844 (46.8)	2.000 (50.8)	1.750 (44.5)	1.831 (46.5)
R1	.031 (.8)	.247 (6.3)	1.525 (38.7)	1.745 (44.3)	1.890 (48.0)	1.656 (42.1)	2.000 (50.8)
R2	.047 (1.2)	.231 (5.9)	1.509 (38.3)	1.728 (43.9)	1.875 (47.6)	1.640 (41.7)	1.904 (48.4)
R3	.062 (1.6)	.216 (5.5)	1.500 (38.1)	1.720 (43.7)	1.860 (47.2)	1.625 (41.3)	1.888 (48.0)
R4	.093 (2.4)	.185 (4.7)	1.470 (37.3)	1.690 (42.9)	1.829 (46.5)	1.594 (40.5)	1.873 (47.6)
R5	.104 (2.6)	.174 (4.4)	1.451 (36.9)	1.671 (42.4)	1.820 (46.2)	1.583 (40.2)	1.842 (46.8)
R6	.125 (3.2)	.153 (3.9)	1.430 (36.3)	1.650 (41.9)	1.798 (45.7)	1.563 (39.7)	1.831 (46.5)
R7	.156 (4.0)	.125 (3.2)	1.400 (35.6)	1.620 (41.1)	1.767 (44.9)	1.531 (38.9)	1.811 (46.0)
R8	.135 (3.4)	.140 (3.6)	1.417 (36.0)	1.637 (41.6)	1.805 (45.8)	1.550 (39.4)	1.781 (45.2)
R9	.188 (4.8)	.094 (2.4)	1.368 (34.7)	1.590 (40.4)	1.740 (44.2)	1.500 (38.1)	1.798 (45.7)