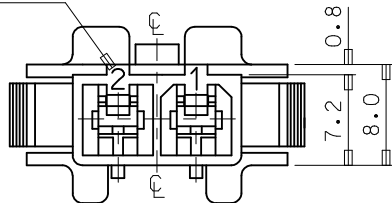
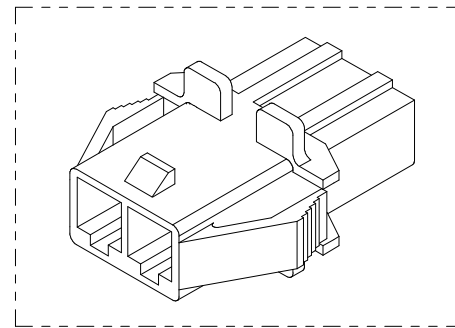
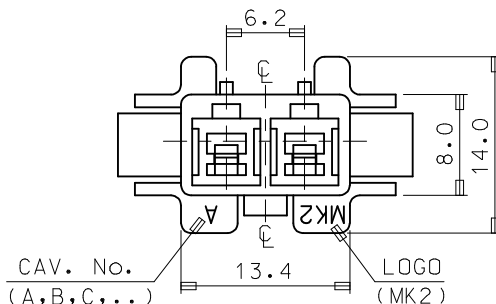


CIRCUIT No.

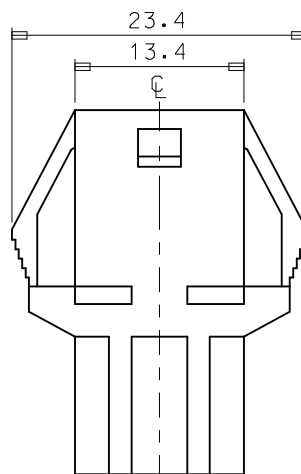
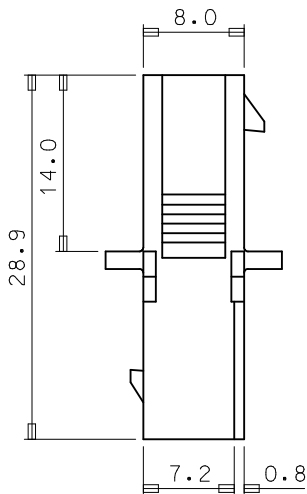


**VIEW "A"**

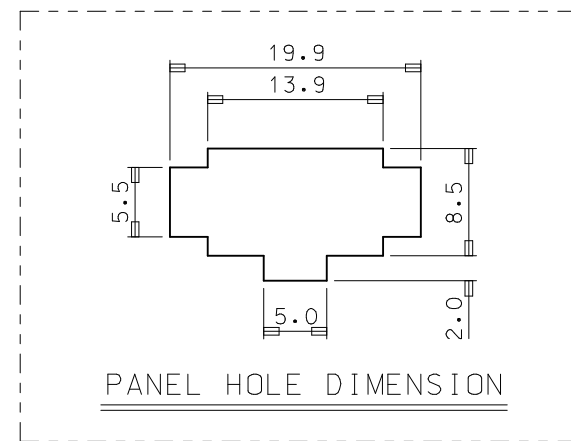


NOTES

1. MATERIAL & COLOR : SEE TABLE
2. MATCHED HOUSING : 35151-021\*
3. APPLIED TERMINAL : 35745-0\*10



**"A"**



**PANEL HOLE DIMENSION**

NO	PRODUCT		MATERIAL	
	PART NO	MATERIAL NO	COLOR	DESCRIPTION
1	35150-0210	351500210	NATURAL	PBT (UL94V-0)
2	35150-0212	351500212	RED	
3	35150-0214	351500214	BLUE	
4	35150-0219	351500219	NATURAL	PC/PET (UL94V-0)
5	35150-2219	351502219	RED	
6	35150-3219	351503219	YELLOW	
7	35150-4219	351504219	BLUE	

<b>REVISED</b>	EC NO: KOR2009-0026
DRWN: JHPARK01	2008/09/25
CHKD: WY YANG	2008/11/25
APPR: YUNSIKKIM	2008/11/25

REV	DESCRIPTION
1	QUALITY SYMBOLS
2	▽=0
3	∇=0

GENERAL TOLERANCES (UNLESS SPECIFIED)	
	mm
4 PLACES	± 0.2
3 PLACES	± 0.3
2 PLACES	± 0.4
1 PLACE	± 0.5
ANGULAR ± 1°	
DRAFT WHERE APPLICABLE MUST REMAIN WITHIN DIMENSIONS	

DIMENSION STYLE	
MM ONLY	
DRAWN BY	DATE
JS.KANG	
CHECKED BY	DATE
APPROVED BY	DATE
MATERIAL NO.	SEE TABLE
SIZE	A3

SCALE	2:1	DESIGN UNITS	METRIC	THIRD ANGLE PROJECTION
TITLE				
6.2 PITCH W/W CONN MALE HSG-2P(W/EAR)				
MATERIAL NO.		DOCUMENT NO.		
SEE TABLE		SD-35150-0210		
SHEET NO.				1 OF 01
THIS DRAWING CONTAINS INFORMATION THAT IS PROPRIETARY TO MOLEX INCORPORATED AND SHOULD NOT BE USED WITHOUT WRITTEN PERMISSION				